



Drum Beats

Monthly Newsletter of the B.R. Ryall YMCA Princesses & Guides

Volume 8, Issue 9

www.logewhegonation.org

April 2007

Princess Spring Campout – May 4th - 6th	Guides Spring Campout – May 18th - 20th
Soap Box Derby – June 3rd	Parade – July 4th

Spring Campout Camp Shaw-waw-nas-see

Princesses - May 4th - 6th

Guides - May 18th - 20th

- \$5 per person Friday night
- \$5 per person Saturday night
- \$20 per cabin per night (old cabins)
- \$120 per cabin per night (new cabins)

The Federation will cover the costs of firewood, porters, patches, and glow sticks. There will be two porters working to transport equipment to & from the parking lot during the following hours:

- 6 – 8 PM Friday
- 10 AM – 3 PM Saturday
- 9 AM – Noon Sunday

We have decided to allow the tribes to extend an invitation to the Spring Campout to anyone you think might consider joining next year. This is an opportunity for you to introduce your friends and neighbors to the program. The spring campout is an excellent way to promote the program and its values.

The YMCA Indian Guides/Princess program is designed to foster companionship and understanding between father and child, in a wholesome atmosphere that emphasizes fun, adventure and a shared sense of discovery of Native American culture. One feature of our program that differentiates us from others is our attempt to involve every dad and child in our activities.

The program is available to dads and sons/daughters, usually Kindergarten through 4th Grade, but we are flexible.

Cost is the same as current members. Since this is a YMCA sponsored event, participants that are not registered members of the 06-07 program MUST sign a Hold Harmless Waiver. These waivers can be turned in at the April or May Longhouse, or when you register your tribe for the spring campout.

The 06-07 graduation ceremonies will be held at the respective spring campouts before the bonfire. Graduating members receive a necklace and graduation certificate at this ceremony. It is imperative that we have the names of all graduating members in time to make the certificates. Please get a list of graduating members to include their given name along with their Princess/Guides name, and email it to Craig Agger, craig.agger@acnielsen.com prior to April 20th.

Princess Tribal Responsibilities

The following tribes have signed up to handle the indicated tasks;

Registration:	Blackfoot
Bonfire:	Lakota/Kiowa
Games:	Ponca
Fishing:	Tetons
Clean Up:	Kiowa

Directions: Take I-55 south to first Wilmington exit (#241). Turn left. Go to Rte. 53 (3 miles). Turn right. Go to the light in the town of Wilmington. Turn left at light onto Hwy 102. Go 11 miles to 4-H Camp Rd (6000W). You will pass Warner Bridge Rd. Turn left onto 6000W. Entrance is on right. Phone: 815-933-3011 – FAX: 815-933-3028.

If you need the list of suggested items to bring, please see the October 2005 issue of the Drum Beats on the web.

Nation Events

2006-2007 Princess Events

November 10th & 17th Shedd Aquarium Sleepovers	Thursday January 25 Roller Skating 7:00 pm Lombard, IL
November 12 Christmas Tree set up 8:00 am YMCA DuPage County Fair Grounds	Sunday February 11th Bowling Noon and 2:00 p.m.
Saturday November 18th Christmas tree Unloading 8:00 am YMCA -Glen Ellyn DuPage Fairgrounds - Wheaton	February 18th YMCA pizza party 5 - 7 pm
Friday November 24 Christmas tree Sales Begin YMCA & DuPage County Complex	February 23rd * 25th Winter Campout Tecumseh Lafayette, In
Sunday December 3rd Christmas Party 1 - 3 pm YMCA	Sunday March 11th Indi-N-500 YMCA Glen Ellyn
Friday December 8 Chicago Bulls game * 7:30 pm	Sunday March 18th Pancake Breakfast YMCA
Saturday December 9th A Christmas Carol Drury Lane Oak Brook, IL	April YMCA Sleepover April 14 th 6pm – 8am
Sunday January 7th 50's-60's Dance YMCA	May 4th * 6th Spring Campout Camp Shaw-waw-nas-see Manteno Il.
January 6 - 7 Winter Campout Camp McLean Burlington WI	Sunday June 3rd Soap Box Derby Blanchard Street Wheaton
	Wednesday July 4 Parade

2006 -2007 Guides Events

November 10th November 17th Shedd Aquarium Sleepovers	January 26 - 28 Winter Campout Tecumseh Lafayette, In
November 12 Christmas Tree set up 8:00 am YMCA DuPage County Fair Grounds	February 11th YMCA pizza party 5 - 7 pm
Saturday November 18th Christmas tree Unloading YMCA Glen Ellyn DuPage Fairgrounds * Wheaton	Sunday February 18th Bowling 12:00 noon
Friday November 24 Christmas tree Sales Begin YMCA & DuPage County Complex	Sunday March 11th Indi-N-500 Edison School Glen Ellyn
Sunday December 3rd Christmas Party YMCA	Sunday March 18th Pancake Breakfast YMCA
Friday December 8 Chicago Bulls game * 7:30 pm	April YMCA Sleepover April 21st 6pm – 8am
Saturday December 9th A Christmas Carol Drury Lane Oak Brook, IL	May 18th * 20th Spring Campout Camp Shaw-waw-nas-see Manteno Il.
Thursday January 25 Roller Skating 7:00 pm Lombard, IL	Sunday June 3rd Soap Box Derby Blanchard Street Wheaton
	Wednesday July 4 Parade

More information to come in future Drum Beats and the web site on the following events:

Kane County Cougars

Deadline for submissions to the May Drum Beats is Tuesday April 17th.

Note: Thank you to all that contributed to this issue of Drum Beats.

Please remember Princesses/Guides earn a Red Arrowhead for contributions.

Event legend

☺ - Nation event (Dads & child)

👨👩👧 - Family event
(spouses and siblings
invited to attend)

⊙ - Optional event

Logewhego Federation Soap Box Derby

Certification June 2, 2007 Race June 3, 2007

Certification Tribe: Blackfoot
Race Day Tribe: TBD
Cleanup Tribe: TBD
Event Coordinator: Craig Agger

Schedule of Events

Saturday June 2

Event	Location	Start	End
Race car certification	YMCA Parking Lot	9:00 A.M.	2:00 P.M.

Car kits are \$15 and it costs \$5 to register each racer. Your car must be certified in order to race but you do keep custody of it after it's been inspected. The official rules can be found in the May Drumbeats or on the Federation web site www.logewhegonation.org. Be prepared to supply every racer's *name* and *age*.

Sunday June 3

Event	Location	Start	End
Race course setup	Blanchard Street in Wheaton between Hawarden and Crescent.	9:00 AM	10:00 AM
Car judging	Finish Line area	10:00 PM	10:30 AM
Racing (three heats per racer)	Race course	10:30 AM	12 Noon
Awards	Finish Line area	12 Noon	12:15 PM
Cleanup	Entire course	After trophies have been awarded	As long as it takes

Tribal chiefs and Nation Council members will be judging the cars in three design categories: automotive, Native American, and most unusual.

Safety comes first. Every racer should wear long pants and long sleeves, a protective helmet, and gloves. The starters will emphasize several things: try to go straight, but if you go off course stay in the car. Trying to get off is riskier than riding it out. *Never* try to stop the car by putting your foot on the ground.

SOAP BOX DERBY CAR CONSTRUCTION SPECIFICATIONS

SEAT AND SEAT BELTS. All cars must have a seat securely fastened to the frame of the car. An old child safety seat can work. Also, all cars must have a belt securely fastened to the car. An old belt can be used or a rope. If you are really adventurous, get a seat belt from the junk yard.

FRAME. Car frames must be made of wood. No metal frames. Typically, a 2x6 or 2x8 can be used, but any sturdy, wood material or design can be used. The frame must be no shorter than three feet and no longer than four and a half.

AXLE LENGTH. Front axle MINIMUM 24 inches; Rear Axle MINIMUM 36 inches. The front axle should be attached with the bolt supplied with the kit, but if you lose it you may use another 3/8th inch bolt and lock nut. The rear axle should be secured with three or more screws or nails.

LAG BOLTS. Only the lag bolts supplied with the kits will be permitted. Also, no more than two washers per wheel and no more than one washer on each side of the wheel. Use of stainless steel lag bolts is forbidden.

WHEELS Only wheels from the kit can be used. Wheels may not be modified except as follows: 1. Casting marks can be removed from the tread; 2. A hole may be drilled in the hub for lubrication. Absolutely no bushings or bearings.

STEERING. Your car must be equipped with a means for steering. The simplest steering mechanism is a rope attached to each side of the front axle. More mechanically inclined dads build steering wheels. Another possibility is attaching blocks to the front axle for your child's feet. Do not use levers for steering.

LIMIT BLOCK. THIS IS IMPORTANT. A limit block made of 2x4 lumber no less than ONE AND A HALF FOOT long must be attached with three or more drywall screws to the frame of the car. The limit block must be centered on the frame and placed no more than ONE-QUARTER OF AN INCH BEHIND THE FRONT AXLE. The purpose of the limit block is to prevent over steering, which can cause the car to overturn.

FOOT REST. A foot rest must be provided for the driver. This can be done using a piece of wood across the top of the frame. The front axle/limit block may also be used as the foot rest depending on the size of the driver and car.

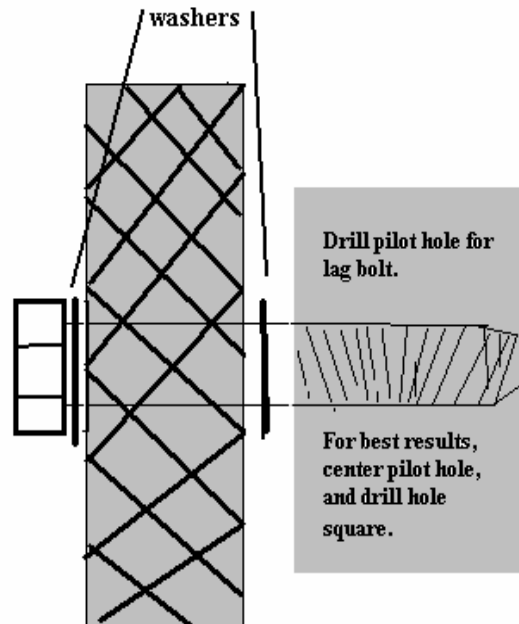
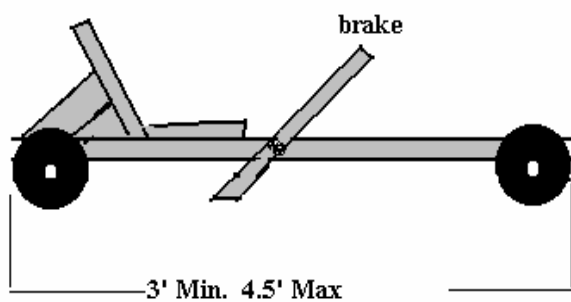
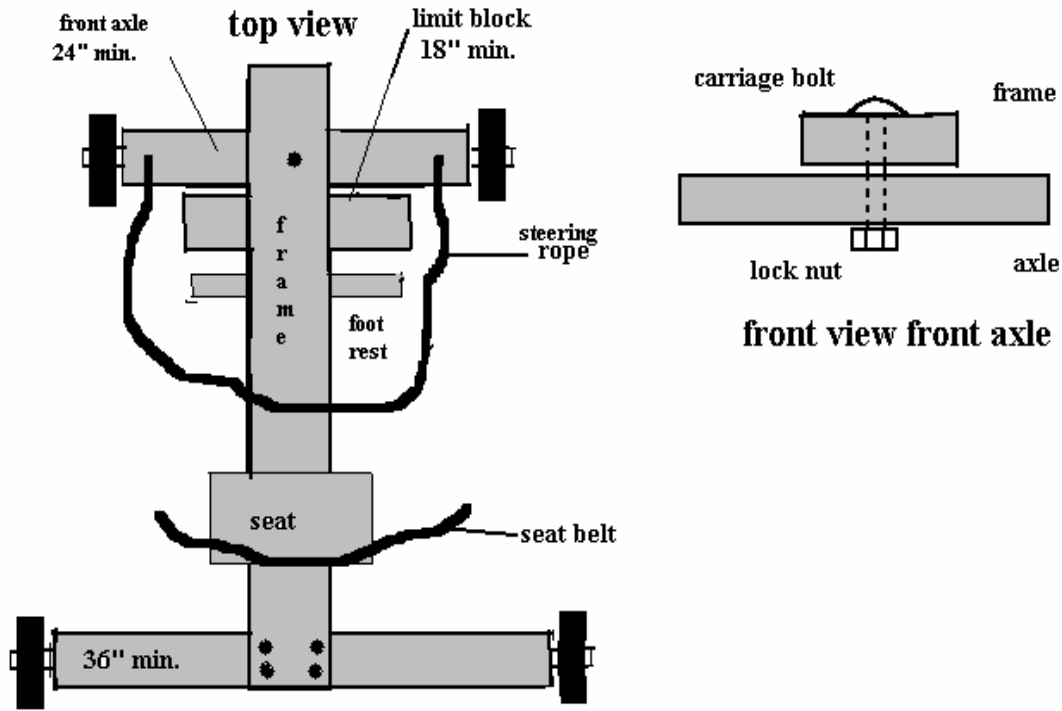
BRAKES. Brakes are suggested. A simple lever may be affixed to the frame.

SAFETY APPAREL. All racers must wear the following: 1. Helmet with strap; 2. Long pants and long sleeve shirts; and 3. Gloves.

No head first driving will be allowed

Note: There is a diagram of a Basic Soap Box Derby Car on Page 6.

Basic Soap Box Derby Car



This is just a sample basic car design. You can add features to it for design.

For better speed, the key is to reduce friction. Adding weights is not encouraged because of the danger it can cause in the event of a collision. You can reduce friction by using lubricants, such as graphite, silicone, oil or grease. You are free to lube after registration or make repairs to your car as needed.

Nation Council Officers

<u>2006-2007 Princess Nation Council</u>		<u>2006-2007 Guides Nation Council</u>	
<p><u>Federation Chief</u> Craig Agger 630-790-4671 * Home 847-605-5720 * Work craig.agger@acnielsen.com</p> <p><u>Nation Chief</u> Bruce Howard 630-462-1760 - Home 312-427-7600 - Work 630-740-9662 - Cell bchoward@ix.netcom.com</p> <p><u>Sachem</u> Robert Duryea 630-469-8710 - Home 630-798-6691 - Work 630-308-8710 - Cell Robert.Duryea@sbcbal.net Robert.Duryea@tellabs.com</p> <p><u>Feather Bearer</u> Joe Kozlowski 630-231-5630 - Home 630-231-0766 - Work Jkoz1428@sbcglobal.net</p> <p><u>War Chief</u> Rob Carso 630-668-5581 - Home 630-514-8042 - Cell horsecrazyxl@aol.com</p> <p><u>Bead Bearer</u> Jim Messmore 630-462-9576 - Home jmessmore@hanson-inc.com jpm1987@comcast.net</p> <p><u>Legend Keeper</u> Mike Chex 630-668-9141 - Home 847-209-3228 - Work</p>	<p>mikechex@msn.com</p> <p><u>Wampum Bearer</u> Tom Hryhorysak Hm: 630-545-0387 Wk: 630-576-3090 Cell: 630-379-2229 thryhorysak@ameritech.h.net</p> <p><u>Organizer</u> Jeff Opem 630-790-4542 - Home 312-968-9542 - Cell logewhegoinfo@hotmail.com jdopem@jdoc.com</p> <p><u>Drum Beater</u> Hairy Sullivan Hm: 630-510-3456 Cell: 630/ 667-3456 thomas@sullivanphotos.com</p> <p><u>Scouts</u> Steve Schwanebeck 630-790-4476 - Home 630-543-8224 - Work s_schwanebeck@hotmail.com</p> <p>Jim Rogers 630-469-6077 - Work jrogers@loganbritton.com jimrogers@wowway.com</p> <p>Y-Guy Pete Heinrich 630-858-0100 x216 pheinrich@ryallymca.org petesports2001@yahoo.com</p>	<p><u>Federation Chief</u> Craig Agger 630-790-4671 * Home 847-605-5720 * Work craig.agger@acnielsen.com</p> <p><u>Nation Chief</u> Ron Sadkowski 630-469-3849 Hm 630-546-1702 Wk 630-546-1702 Cell sadkowski@sbcglobal.net</p> <p><u>Sachem</u> Craig Agger 630-790-4671 * Hm 847-605-5720 * Wk craig.agger@acnielsen.com</p> <p><u>Legend Keeper</u> Blake O'Halloran 630-858-4102 Hm 630-858-8529 Wk 414-217-6612 Cell bohallor@mlock.com</p> <p><u>Feather Bearer</u> Bob Compere Hm: 630/ 653-7168 Wk: 630-572-0240 Cell: 630-297-3610 Bob.compere@swc.com</p> <p><u>Wampum Bearer</u> Tom Hryhorysak Hm: 630-545-0387 Wk: 630-576-3090 Cell: 630-660-4819 thryhorysak@ameritech.net</p>	<p><u>Organizer</u> Jeff Opem 630-790-4542 - Home 312-968-9542 - Cell logewhegoinfo@hotmail.com jdopem@jdoc.com</p> <p><u>Drum Beater</u> Hairy Sullivan Hm: 630-510-3456 Cell: 630/ 667-3456 thomas@sullivanphotos.com</p> <p><u>Bead Bearer</u> Dave Fritz 630/ 942-8267 Hm 630/ 782-8985 Cell dent815@yahoo.com</p> <p><u>Tally Keeper</u> Lucho Patinos Hm: 630-668-3794 Wk: 630-207-2844 aaacd1@sbcglobal.net</p> <p><u>Scout</u> We are looking for 2 Scouts to join our Council</p> <p>Y-Guy Pete Heinrich 630-858-0100 x216 pheinrich@ryallymca.org petesports2001@yahoo.com</p>

Trailblazers

Countdown Begins for Trailblazers Rocket Launch

Join the Trailblazers Sunday, April 22nd for the exciting launch of their fleet of rockets from 1-4pm. The launch is a family event and will be at the Motz Farm in Elburn, which is only a 40 minute drive from the YMCA. Directions are printed on page 4 of the [April Trailsigns](#). There is no cost for this event and you do not need a rocket to attend. You may, however, bring your own projectile that you have built from a kit. See you there! *Rain date Saturday, April 28th. Call a Trail Council member (page 2 of the Trailsigns) or the YMCA if the weather is questionable.*

Help the Trailblazers Help the Animals

The B.R. Ryall Trailblazers Youth Advisory Council needs your support in their effort to assist the West Suburban Humane Society collect donations for their facility. Your donations can be brought to the Rocket Launch on April 22nd or dropped off at the Y. Accepted Donations are listed in the [April Trailsigns](#).

Spring Picnic at Starved Rock

The Trailblazers invite you to their annual Starved Rock Picnic on May 12th. This event is a fun-filled day of food, hiking and games. The world- famous Trail Council chefs will provide a savory grilled assortment of burgers and dogs, plus chips and drinks. This is a family event so moms and little 'blazers are welcome. Cost is \$7 per person and there is no fee for park entry or parking. Look for more information in the May issue of Trailsigns.

Basecamp

The Trail Council of the B.R. Ryall YMCA will be having a Basecamp at the Y on Wednesday, 18-April-2007 at 8:00 pm. This is our monthly organizational meeting. Trailblazers and prospective Trailblazers are encouraged to stop by and check us out.

The greatest gift a father can give to his child is his time. Please take a moment to consider our program. Check out our [website](#), talk to your child, and make a commitment today.

Questions? [Contact the Trailblazers](#).

Bob Duryea

B.R. Ryall Trailblazers

TabascoShirt-Trailblazers@yahoo.com

Logewhego Federation

Special Projects Description

The Logewhego Federation Feathers represent a distinct class of awards that are earned based on specific personal and group achievements, not participation in tribal and nation events. Many of the projects place an emphasis on the Native American theme of the program. Listed below are the ten special projects for which feather patches can be earned. The primary patch (analogous to the large round nation patch but in the shape of a bird with outstretched wings) will be issued at the time the first special project feather is earned. There is also a special larger feather patch that is awarded upon completion of the ten special projects.

The tribal chiefs have the primary responsibility for ensuring that the criteria are met before a feather patch is awarded, although some special projects will be held in conjunction with nation events like the campsouts. The Legend Keeper of each nation council is designated as the special projects coordinator for their nation – this is the main contact person in the event of questions or suggestions.

Number	Feather	Project Description
1	White with blue tip	Recite the names of all fathers and daughters/sons in the tribe, both English and Native American.
2	White with red tip	Recite tribal ritual, including opening and closing prayer, guides/princess pledge, and guides/princess aims.
3	Red with black tip	Participate in a community function (e.g. community cleanup, charitable or good-will project) and deliver report to tribe.
4	Yellow with red tip	Complete a major piece of tribal equipment (e.g. tribal standard, talking stick, tom-tom, wampum pouch).
5	Yellow with black tip	Deliver a report on the history, lifestyle, and/or customs of the Native American tribe for which the group is named. If there is no actual tribe, report on the Ojibway.
6	White with brown tip	Draw (or collect and mount) 6 (six) different native tree or plant leaves, or six different birds, or six different mammals, or six different fish, or six different insects, with identification and brief description.
7	Green with black tip	Complete a Native American handicraft that is not a tribal council meeting or tribal equipment project.
8	Black with yellow tip	Memorize and draw 12 (twelve) Native American symbols from any tribe or culture.
9	Blue with white tip	Act as a mentor for another little brave or princess in the tribe who is working to earn a special project feather.
10	Black with white tip	Read a Native American myth or story, preferably appropriate to the tribe, as part of a tribal council meeting.
11	Large red with white tip and base	Complete all 10 special projects.

Wisdom of the Legend Keeper: Special Projects Hints

Here is what the Logewhego Federation Special Projects patches should look like when all the feathers have been earned. Members of both the Princess and Guides Nations have started sporting these achievement awards. If you want to spend a little extra time with your son or daughter and learn more about your tribe, community and Native American culture, these projects will be very rewarding.



[www.logewhegonation.org!!](http://www.logewhegonation.org)

Guides, Princesses

Take a moment to checkout the Logewhego Nation web site at www.logewhegonation.org. We are putting as much information on to this site as soon as possible regarding the Guides and Princesses programs. All forms, maps, Drum Beats, schedules, lists, and whatever else is placed there to view or download. A "Members Notes" area on the home page is a quick alert area to new items added to the web, or other important notices. The Nation Calendar and Tribal sign up lists are also on the web site.